

WHY CHOSE SKYCREST

Aesthetically pleasing appearance with traditional cast aluminium features.

Well tried and tested with over 15 years experience

Simple to assemble all bars square-cut aluminium box sections for strength

Thermal barrier & break gives excellent U values

The majority of styles can be constructed with the C.A.D package available

A portal frame system " SKYTRUSS" is available for larger structures

Built to withstand earthquakes this magnificent conservatory resides in Canada



The complex design above includes all the main conservatory styles & was built to host a local media gardening programme

These conservatories include SKYTRUSS structural supports



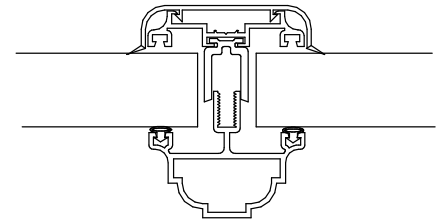
The Skycrest roofing system was designed to provide an alternative to plastic capped roofing products. It specifically uses aluminium castings as part of the system to give a traditional feel to your building much like the original Victorian Conservatories. Whilst using modern solutions it still relies on the aesthetics & decoration provided by the Victorians to create the feel of those first buildings.

With over 15 years experience in the conservatory industry why not look at our full product details, and give Skycrest a try.

the only real alternative in conservatory roofing

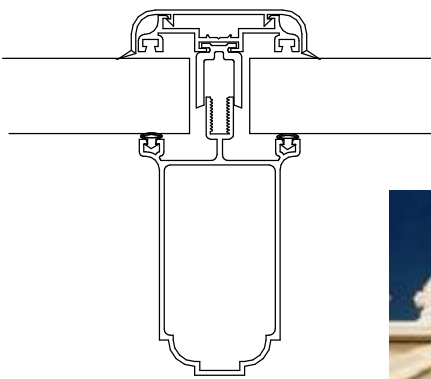
Manufactured using structural aluminium our glazing bars are amongst the strongest available. As a conservatory roof system the bars are more than adequate for spans well in excess of those experienced on the vast majority of domestic conservatories. With rafters projecting downwards incorporating elegant mouldings and the ornate cast aluminium spandrels, crowns and other decorative trims it actually represents its traditional origins. These set it aside and make it truly "the only real alternative" of the conservatory market.

small glazing bar

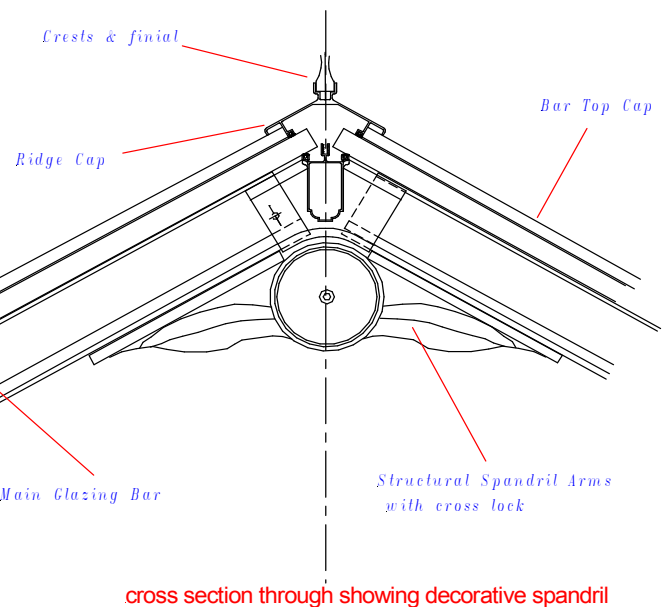


The bars are powdercoated to a standard RAL 9010 Hipca white (though any RAL colour can be provided). Glazing mediums from 6mm to 50mm can be used by increasing the length of the screws holding the top cap to the bar. The bar and eaves beam incorporate a thermal barrier to reduce any risk of condensation.

main glazing bar



It is possible to manufacture a full range of conservatory styles from the system and over the 15 plus years the system has been available we have made everything from swimming pool covers to conservatories incorporating sound studios to snooker rooms. For the larger conservatories we have developed our SKYTRUSS portal system which incorporate as part of the roof making it less obtrusive than others

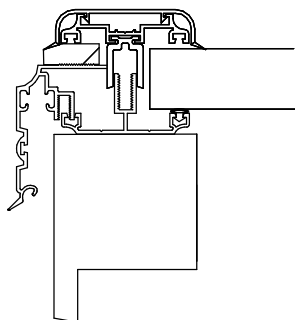


cross section through showing decorative spandril



End Caps

Cast Aluminium Shoes



end glazing bar

