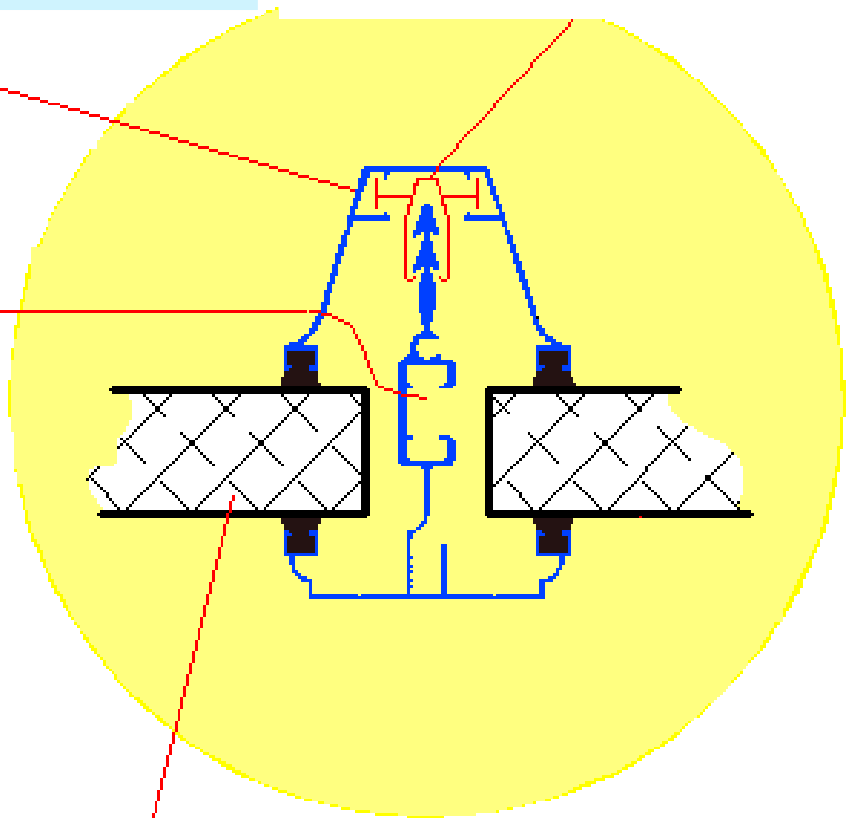


Patent Glazing System

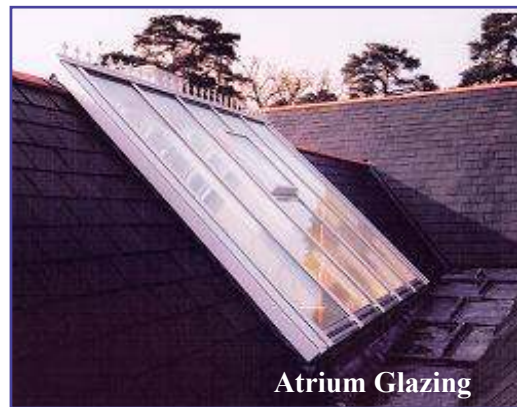
Davandian "clip technology" & thermal barrier
 Suitable for both vertical & roof glazing
 Aluminium system with extra thermal break option
 Can be powdercoated standard RAL colours
 Glazing options from 6mm to 35mm

Davandian clip technology

Knock on cap
 Optional extra thermal break



Glazing 6mm to 35mm



Simplex-glazing is a patent glazing system using the S-glazing bar incorporating a "tap fit" top cap. It is an all aluminium system which complies with the relevant regulations for both statutory loading requirements & thermal performance. Available either mill finish or powdercoated any standard RAL colour it is a frontrunner in current patent glazing technology.

The ultimate in patent glazing technology for roofs & vertical glazing

Appearance

Aluminium sections are supplied to BS EN755-9 2001 and are available mill finish.

Sections powder coated BS 6496 to any RAL or BS colour either matt, semi-matt

Performance

Designed to conform with current regulations when installed within the manufacturers recommendations i.e..

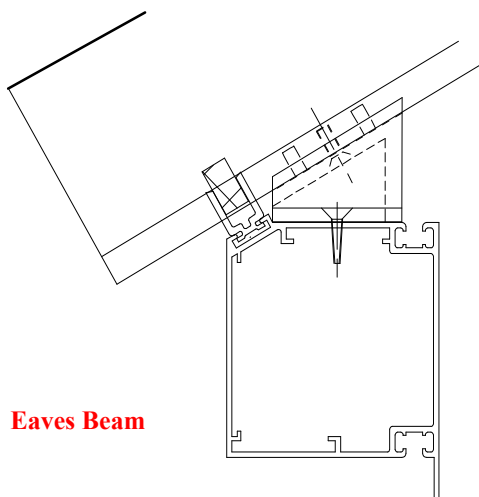
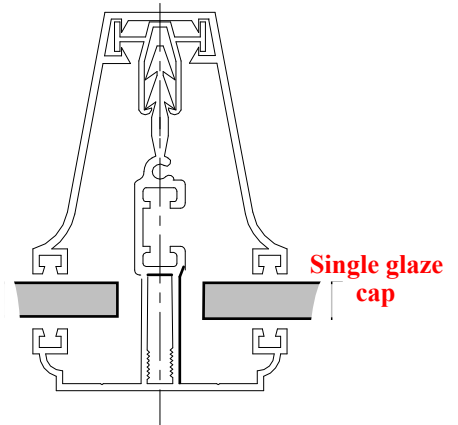
BS 5516 - 1991 Overhead Glazing -

CP118 : BS8118 Structural use of aluminium - BS6399

Snow Loading for buildings---

CP3 Chapter 5 Part 2 Wind Loading

Glazing material when supplied conforms to BS6206.



Main Features

Accommodates all thickness of glazing material from 6mm glass single through to 28mm dg units; 16, 25, and 35mm polycarbonate.

Includes drainage channels on main bar to ensure drainage to outside.

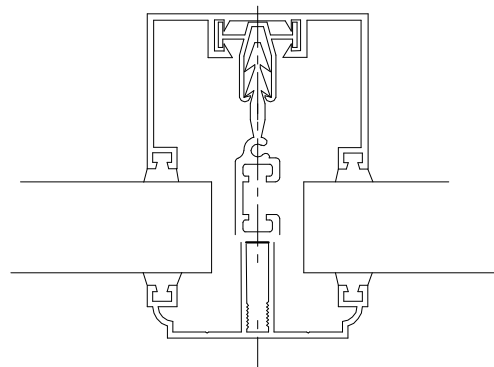
Further thermal break on main bar when used will increase performance.

PVC.U thermal barrier clip incorporated to achieve adequate U values. Top cover snaps to bar thus requiring no screws to fix it.

Can be reinforced along centre web for increased structural performance. Brackets and trims for many applications available (please submit your enquiry).

E.P.D.M. gaskets for performance and compatibility with polycarbonate.

Suitable for commercial and domestic use.



Square bar cap