

Section 2 Drawings



Conservatory Roofs, Atrium Glazing, Rooflight & Entrance Canopies Application Details & Drawings

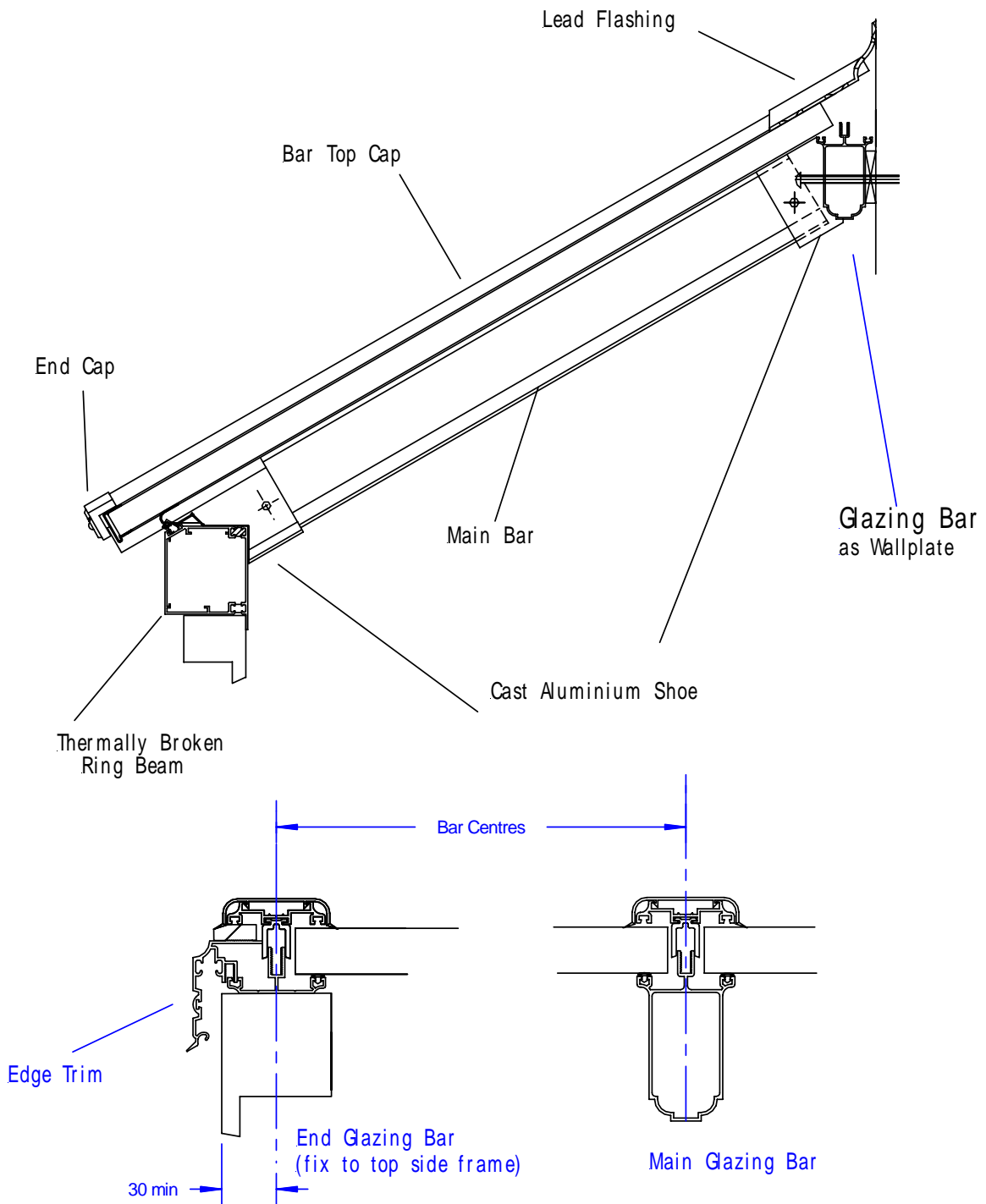
Telephone: 0044 (0)871 250 4711
Fax: 0044 (0)121 210 7538
E-mail: sales@amartsystems.com



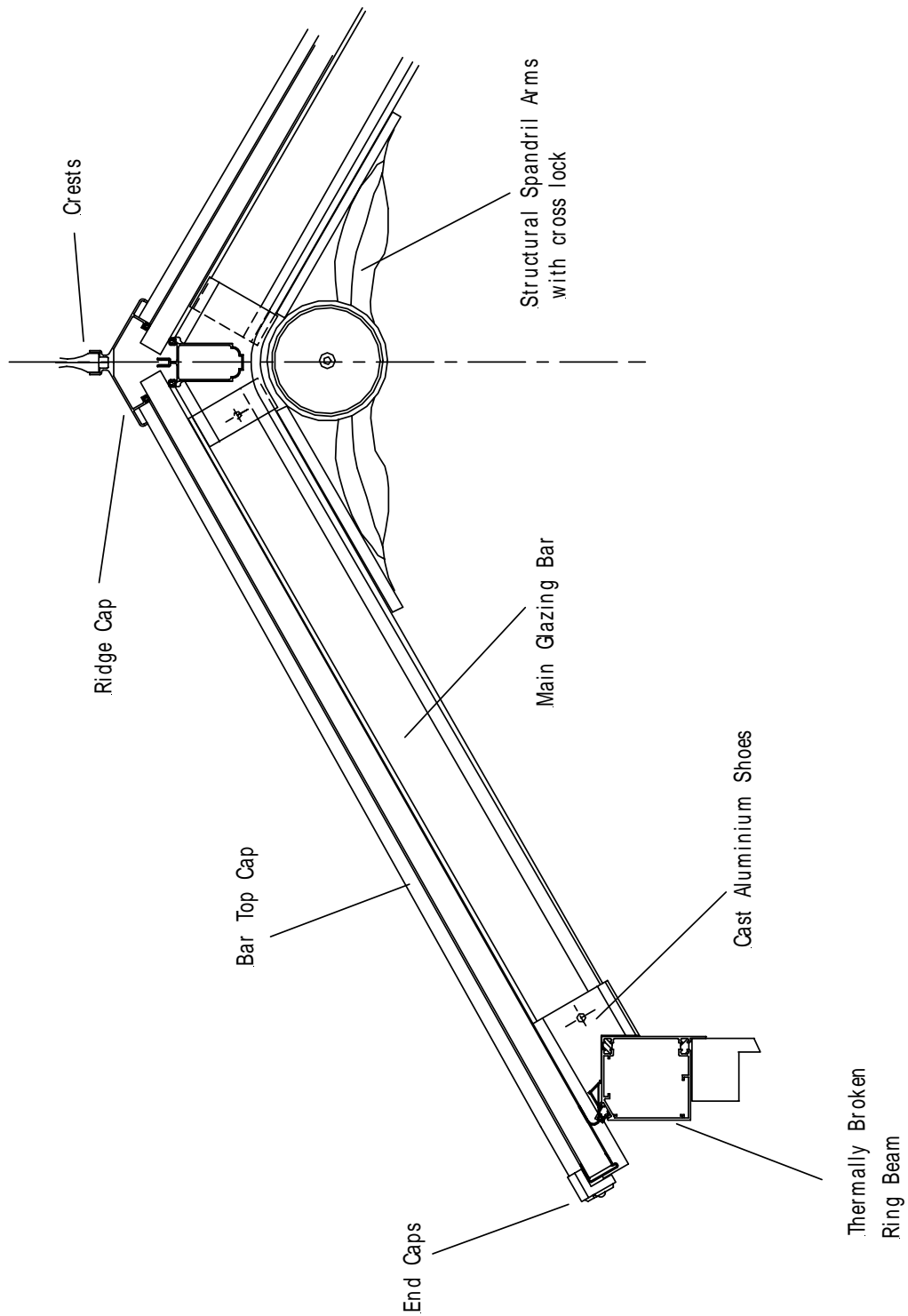
07/06/2006

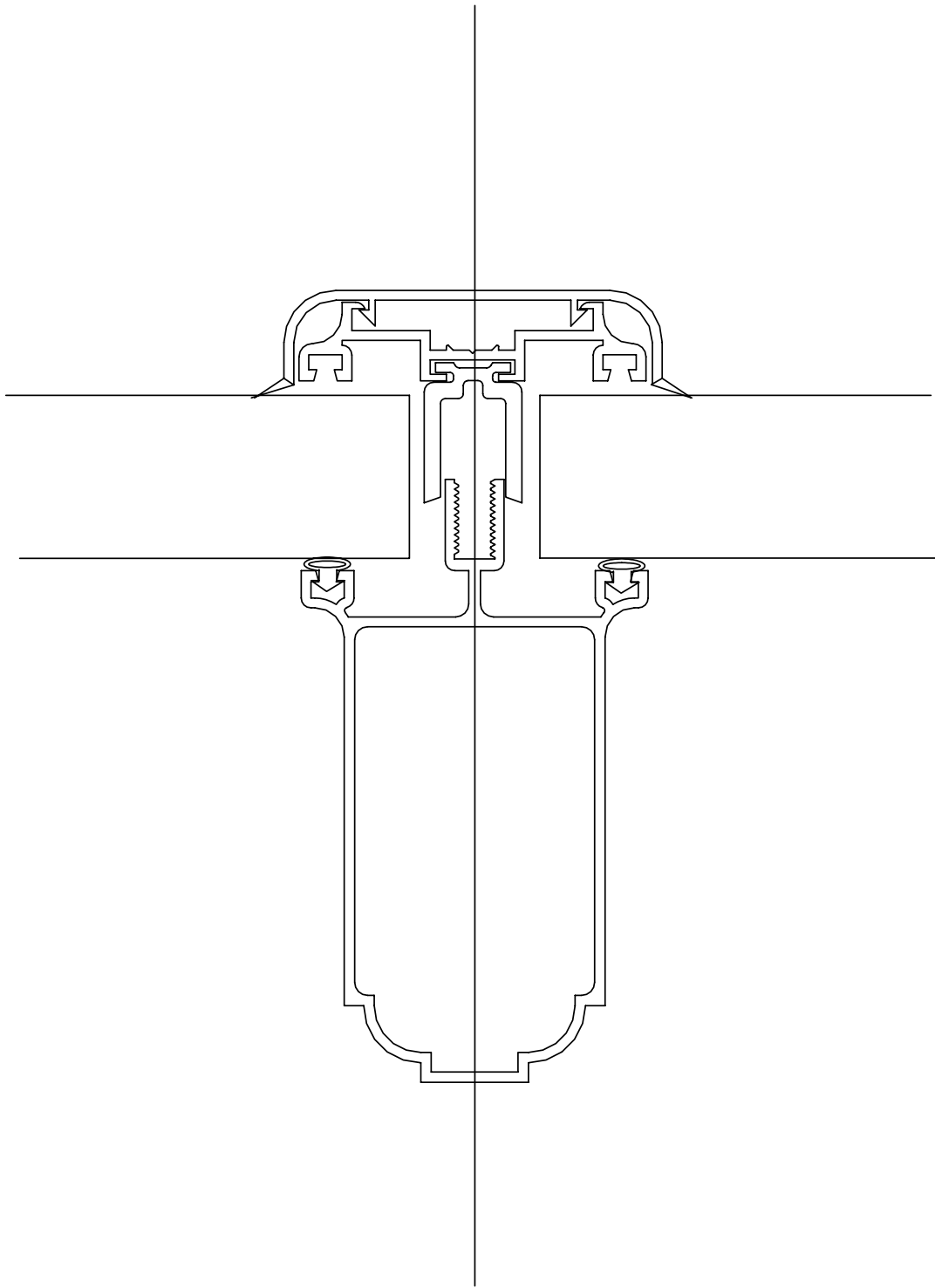
Section 2 - 1

CROSS SECTION THROUGH LEAN TO ROOF



CROSS SECTION THROUGH EDWARDIAN & VICTORIAN ROOF





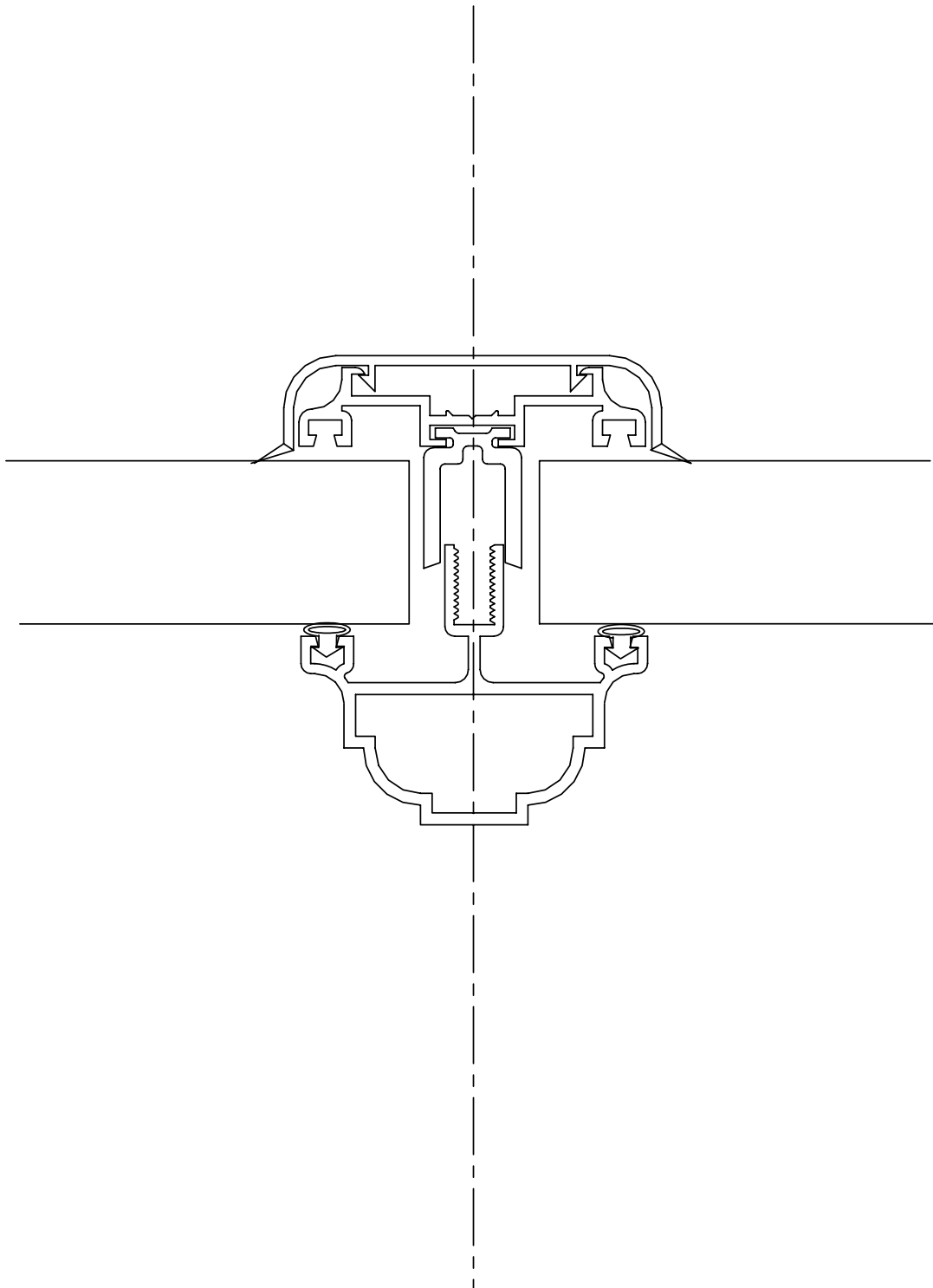
Main Glazing Bar

Telephone: 0044 (0)871 250 4711
Fax: 0044 (0)121 210 7538
E-mail: sales@amartsystems.com

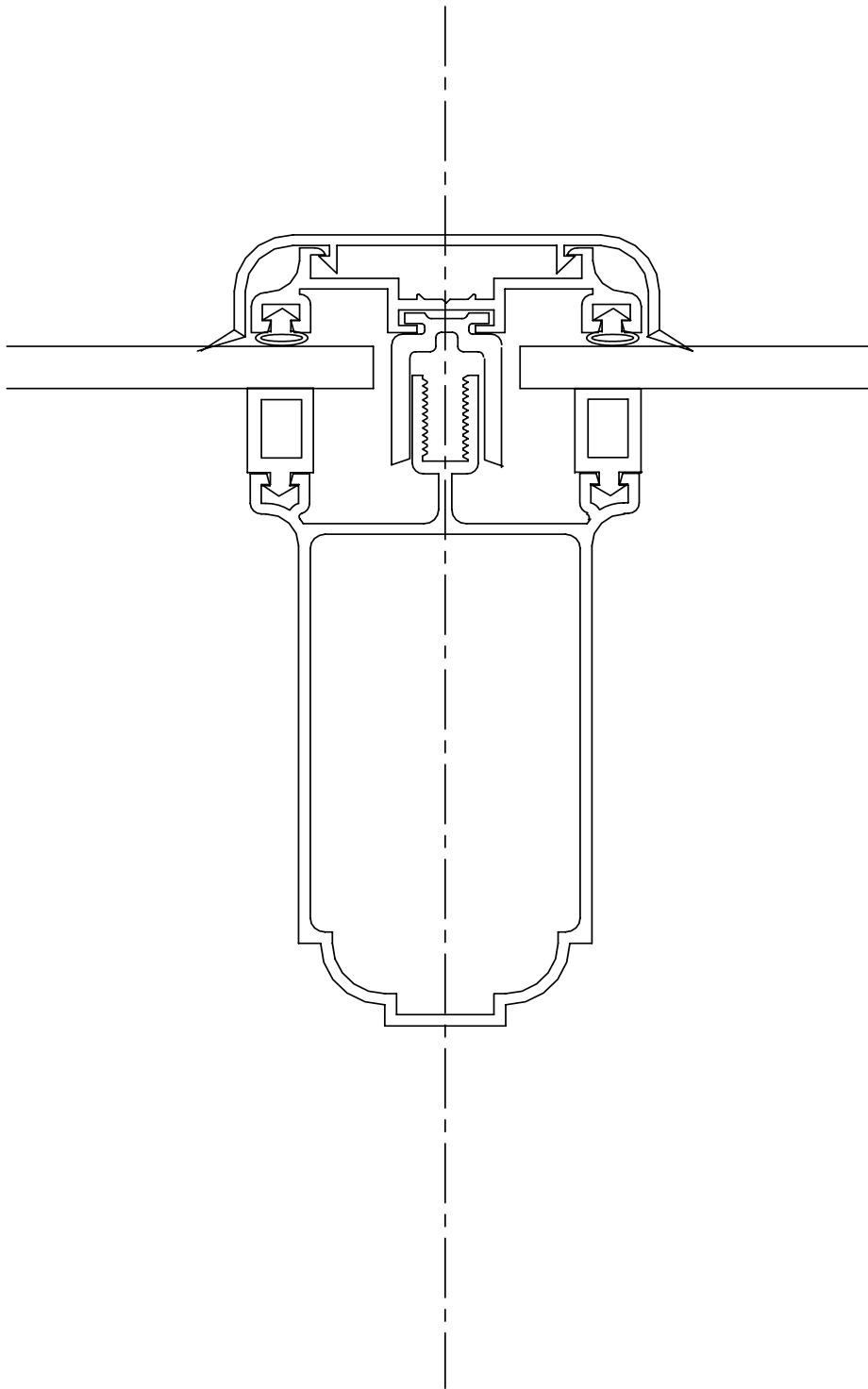


07/06/2006

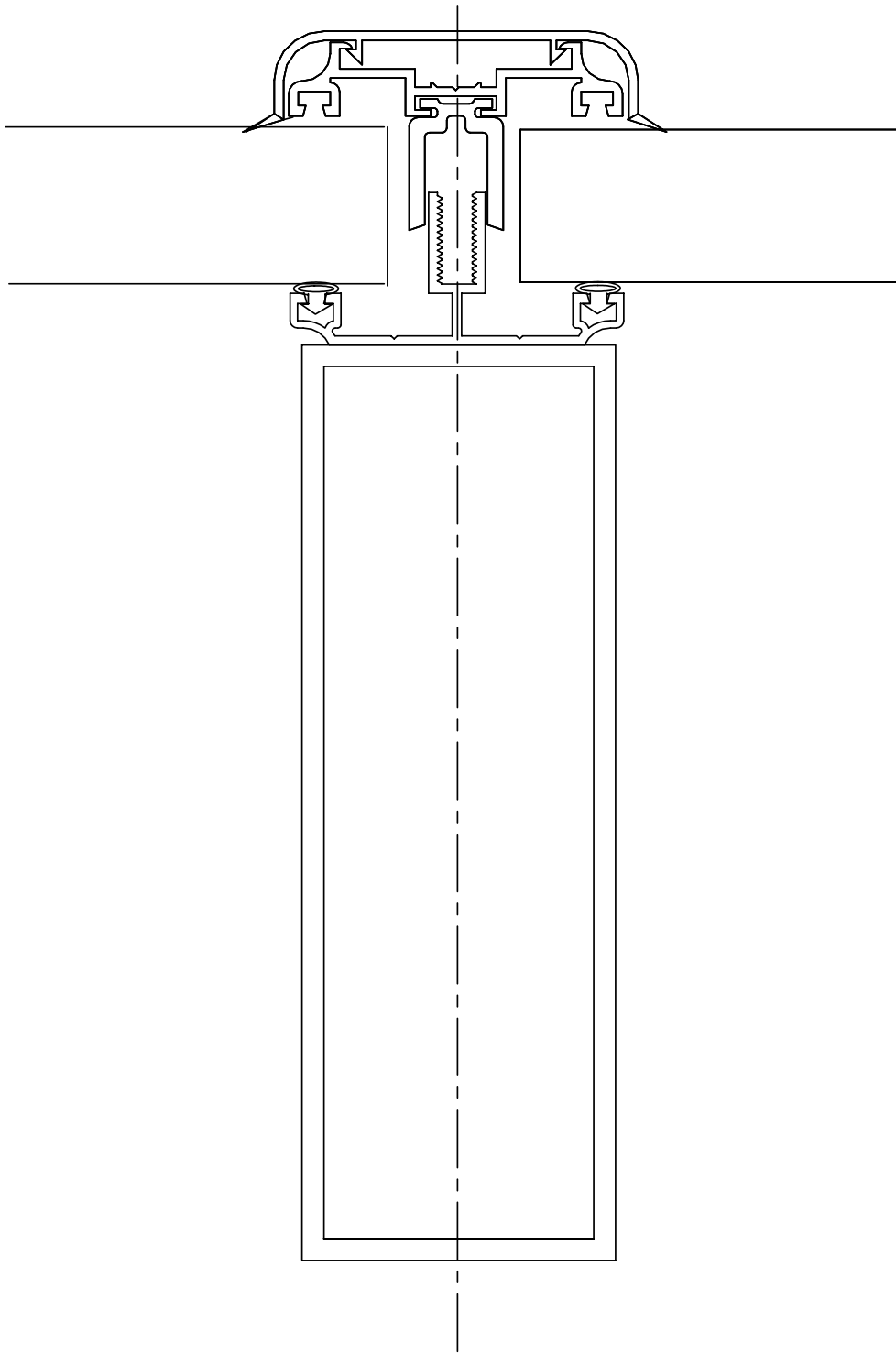
Section 2 - 4



Small Glazing Bar



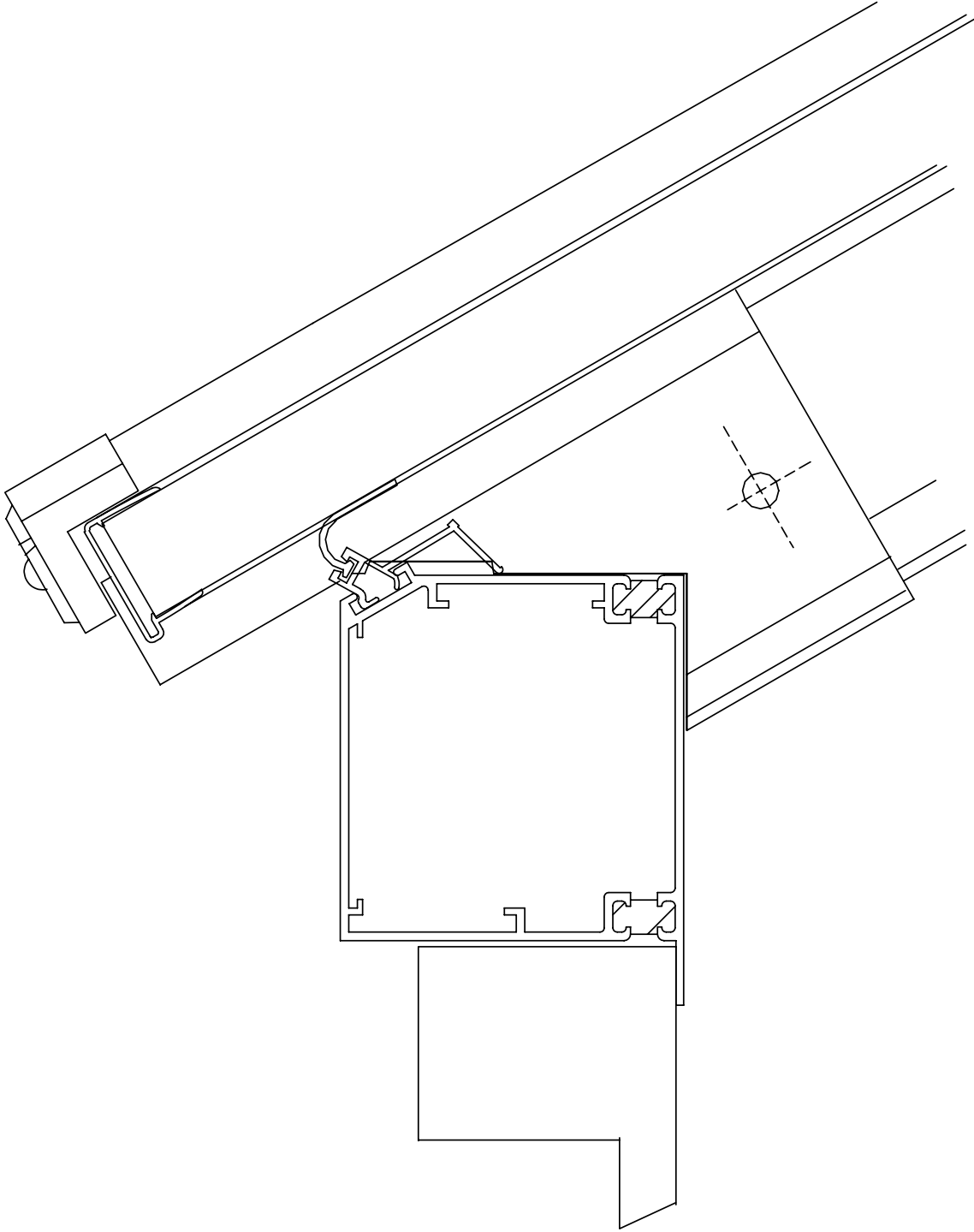
Main Glazing Bar (single glazed)



Bar to Structure

Nb : Refer to Skytruss for details of Structural Components

Eaves Beam & Bottom Shoe

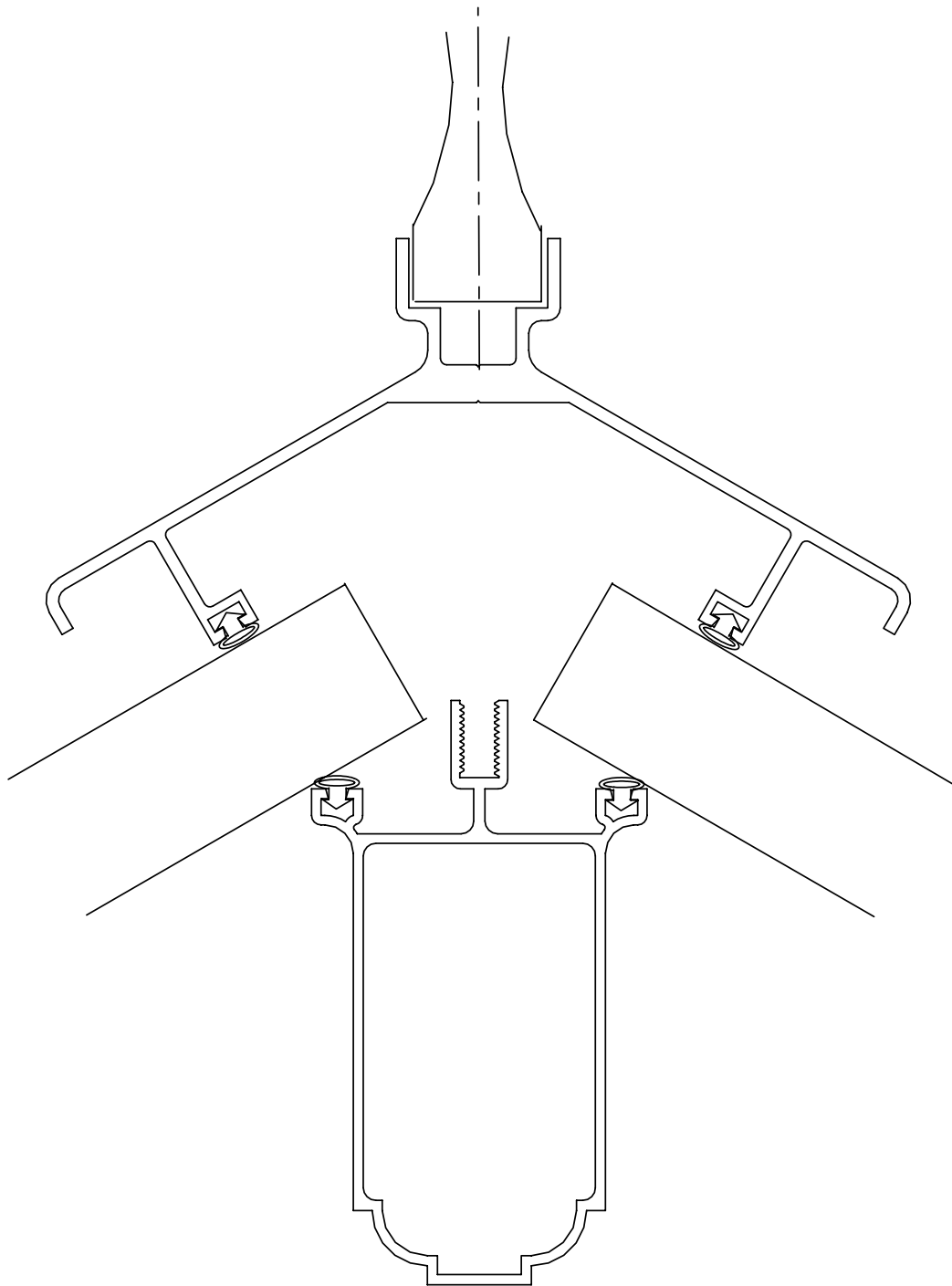


Telephone: 0044 (0)871 250 4711
Fax: 0044 (0)121 210 7538
E-mail: sales@amartsystems.com

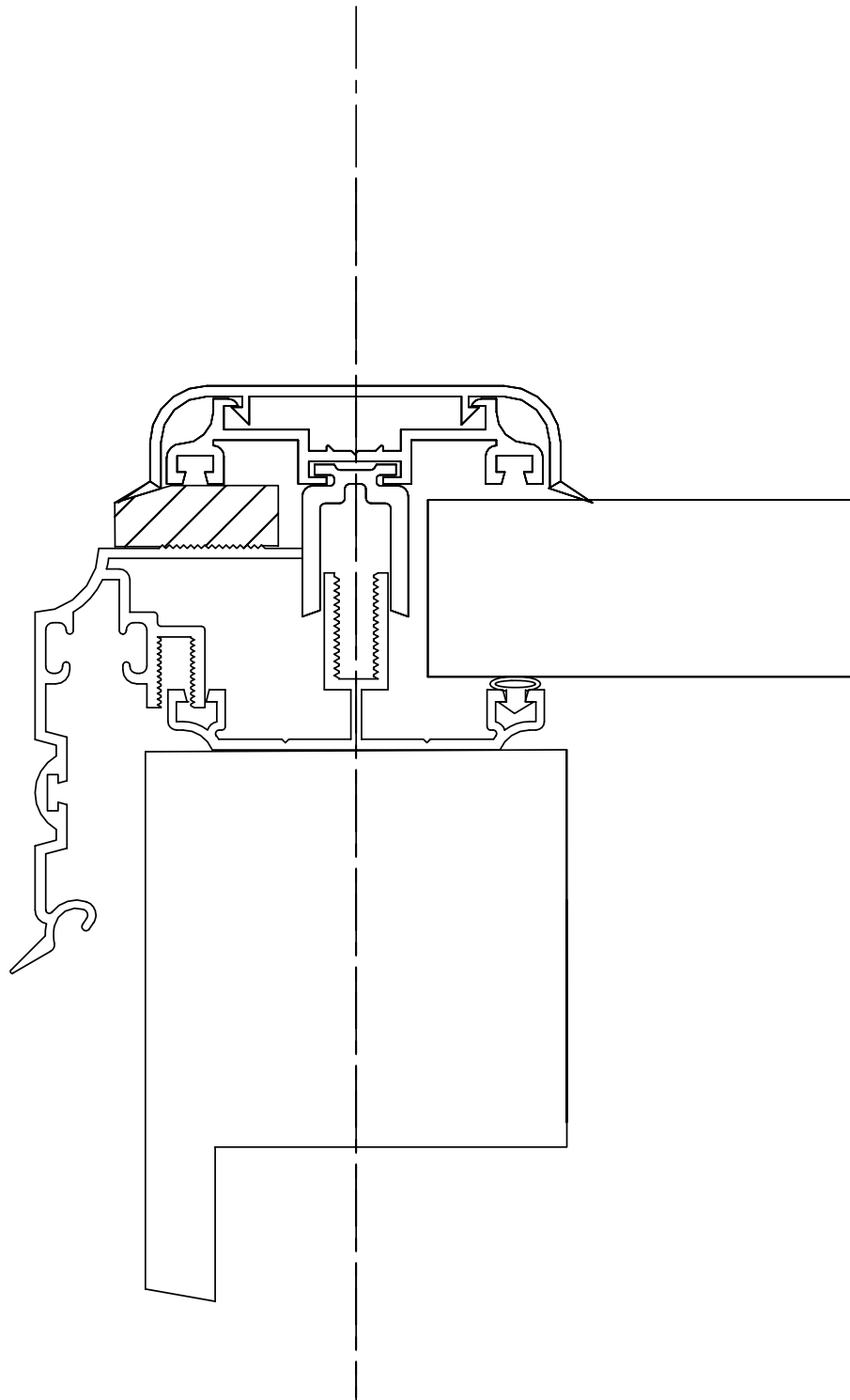


07/06/2006

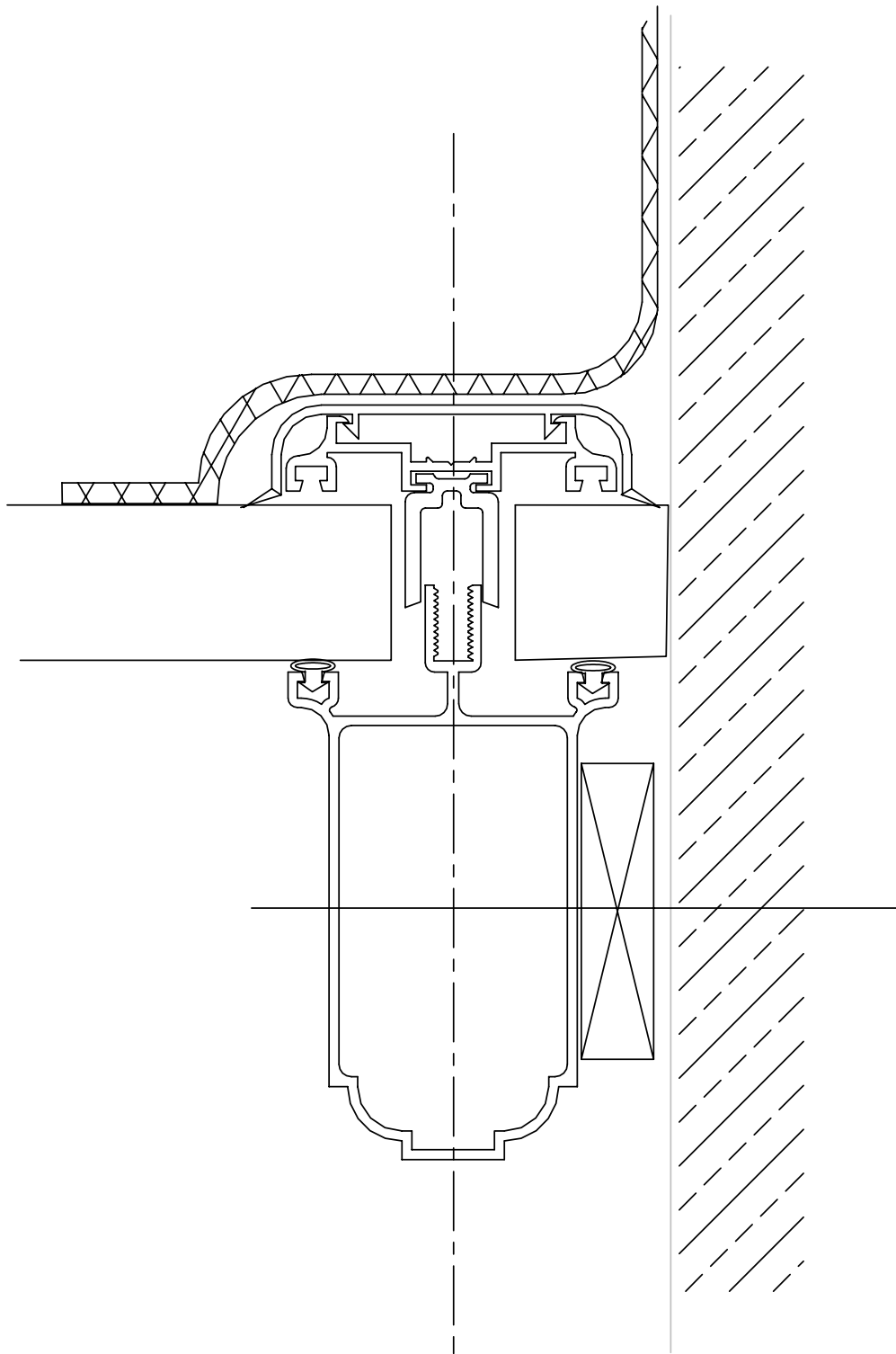
Section 2 - 8



Ridge Bar

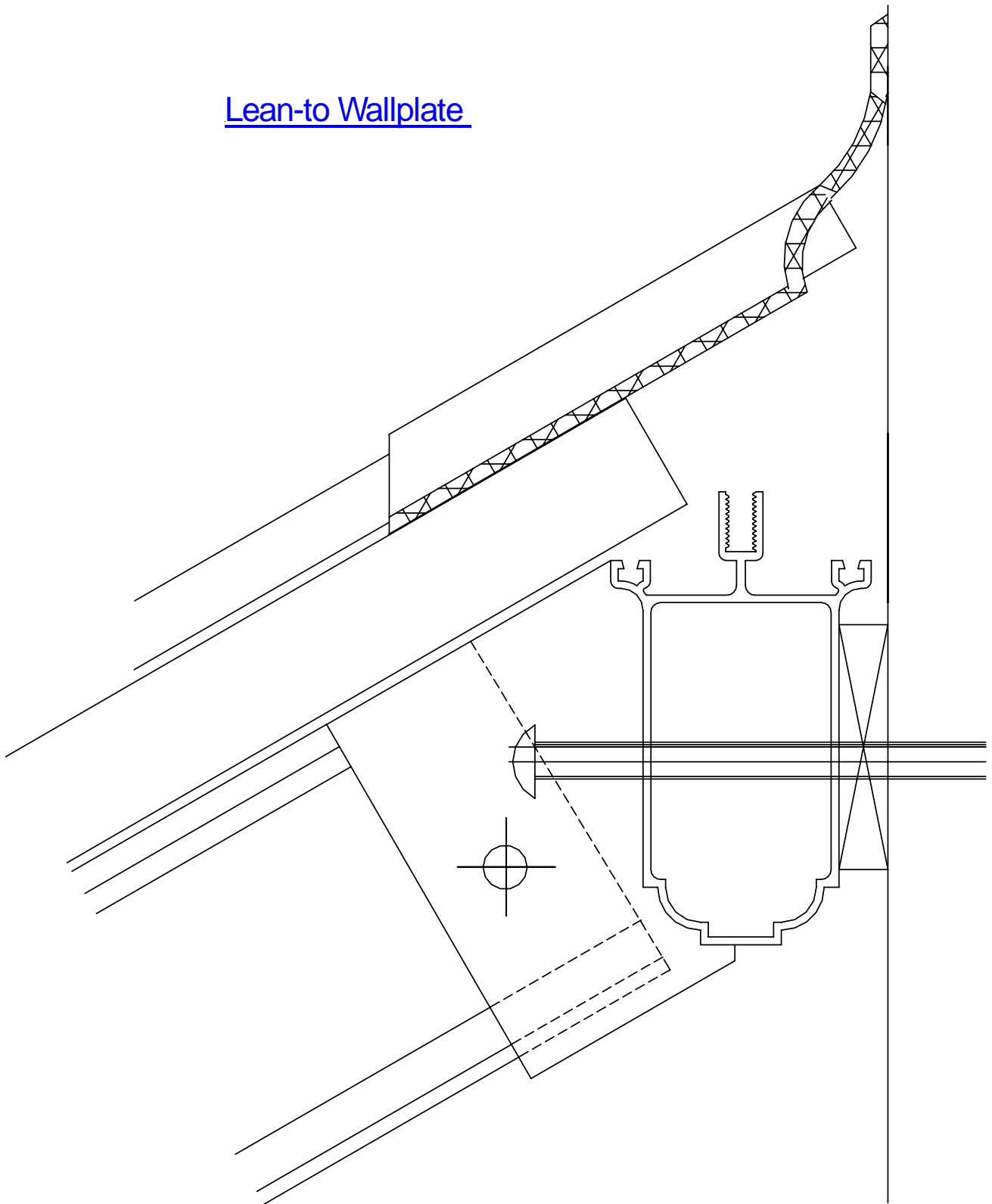


Edge Glazing Bar



Wall Glazing Bar

Lean-to Wallplate



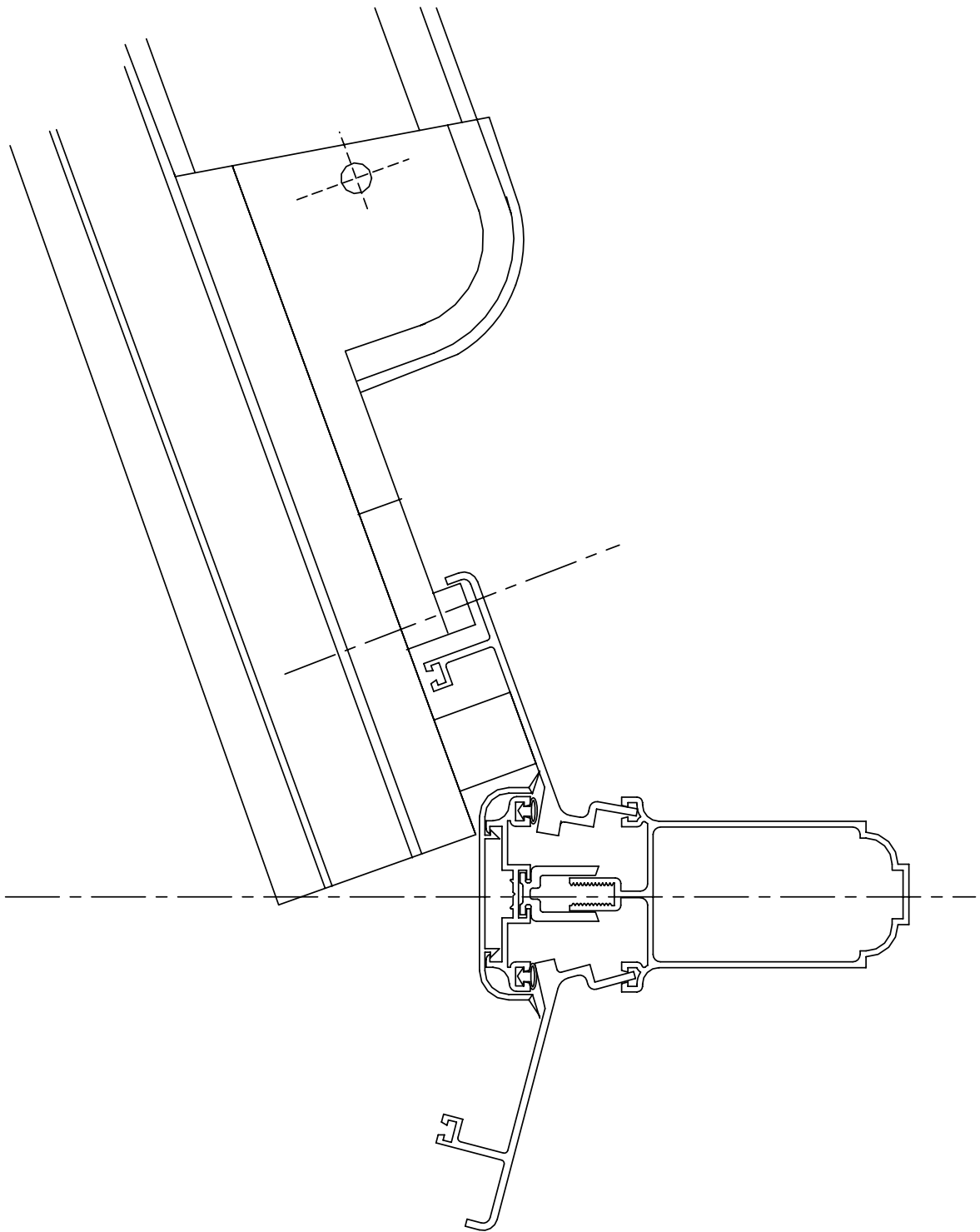
Telephone: 0044 (0)871 250 4711
Fax: 0044 (0)121 210 7538
E-mail: sales@amartsystems.com



07/06/2006

Section 2 - 12

Valley with Shoe & Main Glazing Bar

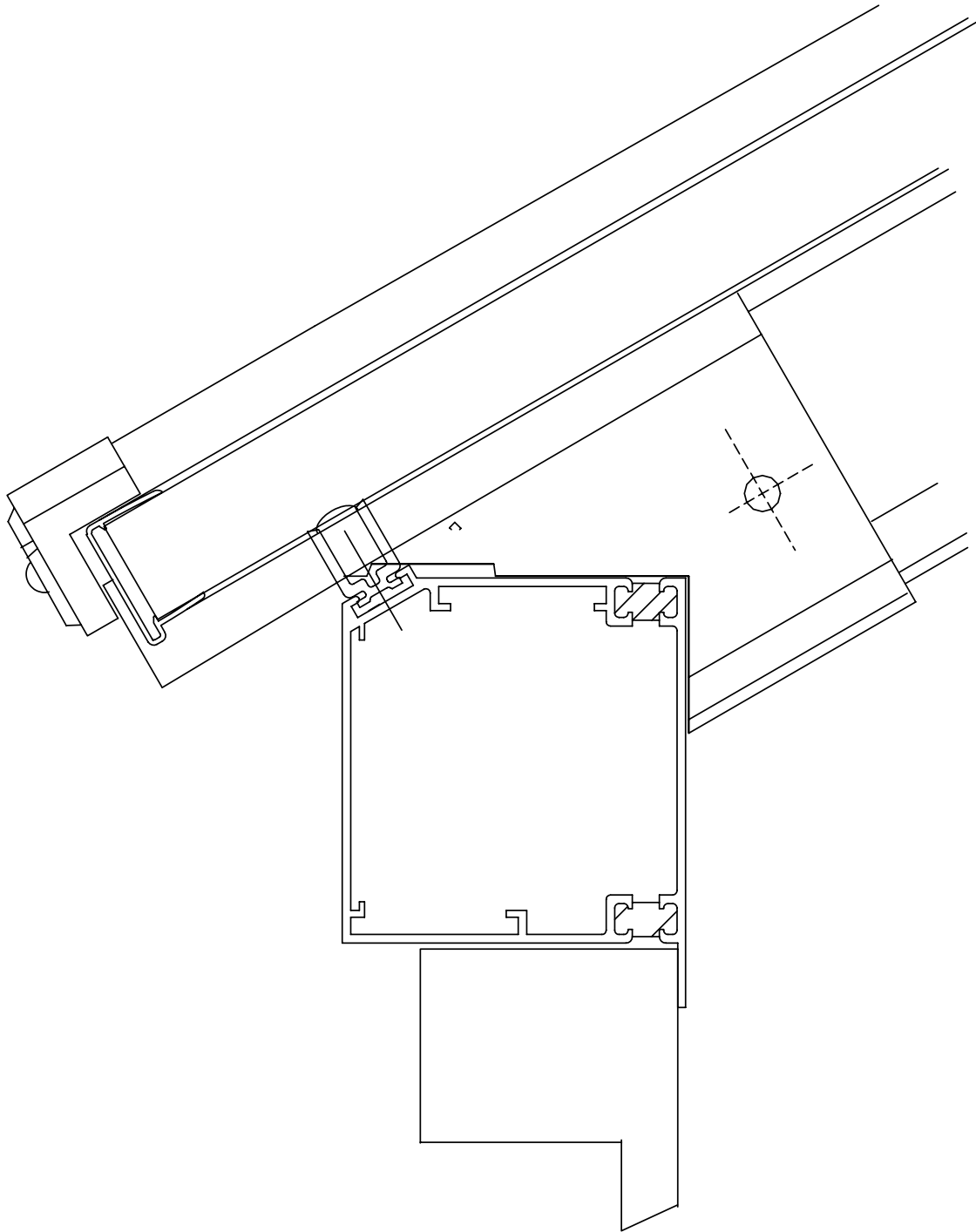


Telephone: 0044 (0)871 250 4711
Fax: 0044 (0)121 210 7538
E-mail: sales@amartsystems.com



07/06/2006

Section 2 - 13



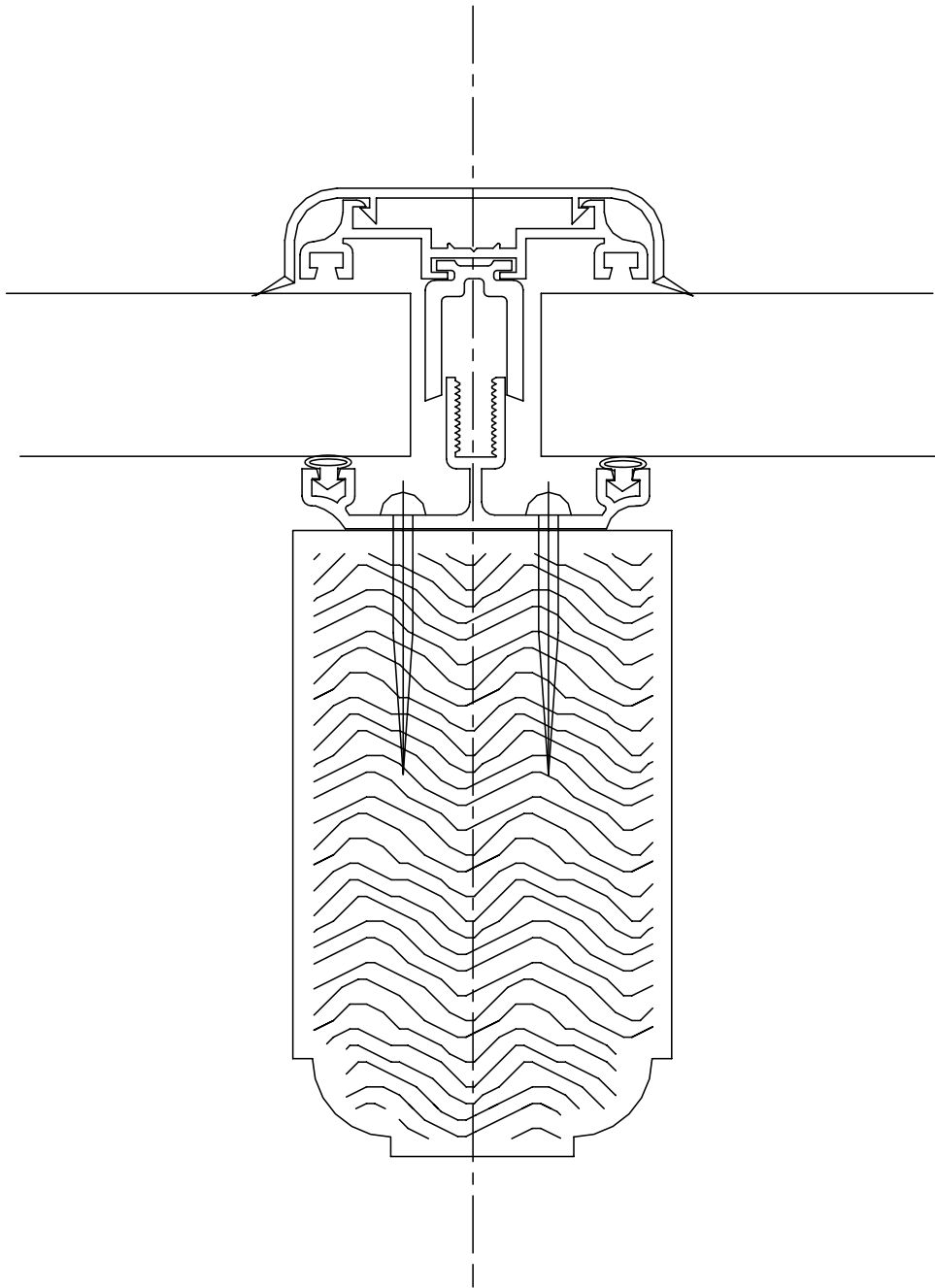
Ring Beam & Shoe B3

Telephone: 0044 (0)871 250 4711
Fax: 0044 (0)121 210 7538
E-mail: sales@amartsystems.com



07/06/2006

Section 2 - 14



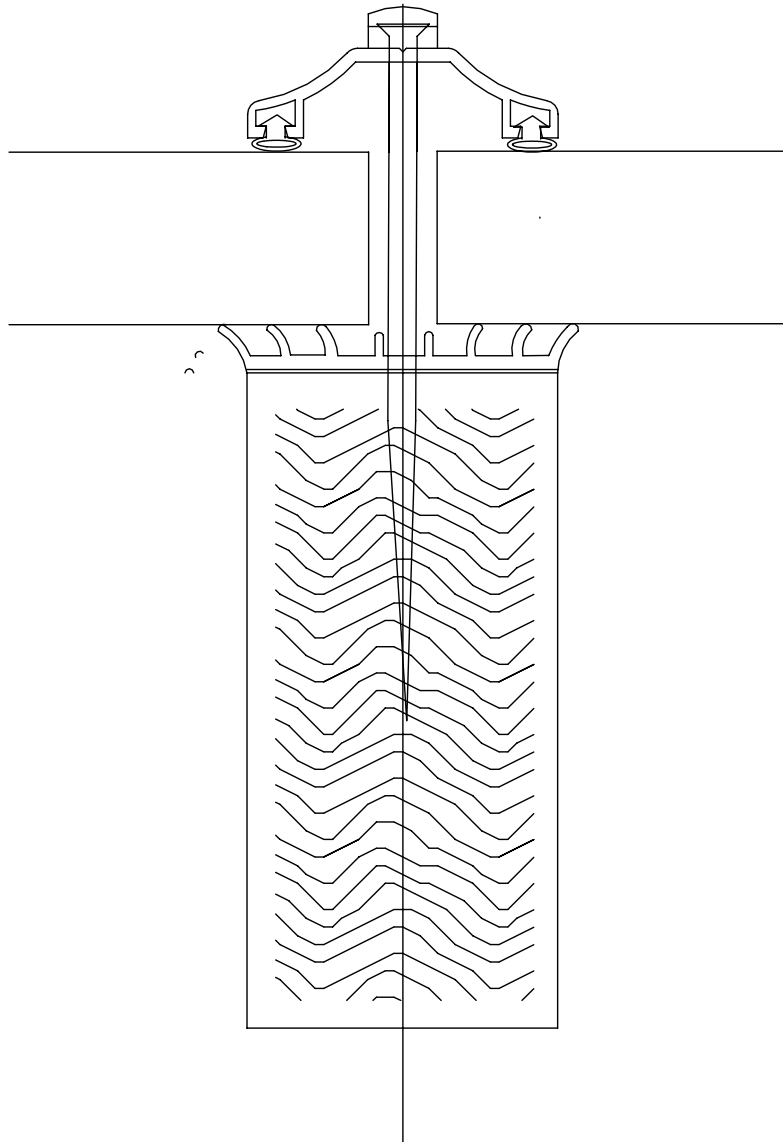
Timber Glazing Bar

Telephone: 0044 (0)871 250 4711
Fax: 0044 (0)121 210 7538
E-mail: sales@amartsystems.com



07/06/2006

Section 2 - 15



Timber Glazing Economy Bar Cap & Rafter Gasket

Telephone: 0044 (0)871 250 4711
Fax: 0044 (0)121 210 7538
E-mail: sales@amartsystems.com



07/06/2006

Section 2 - 16